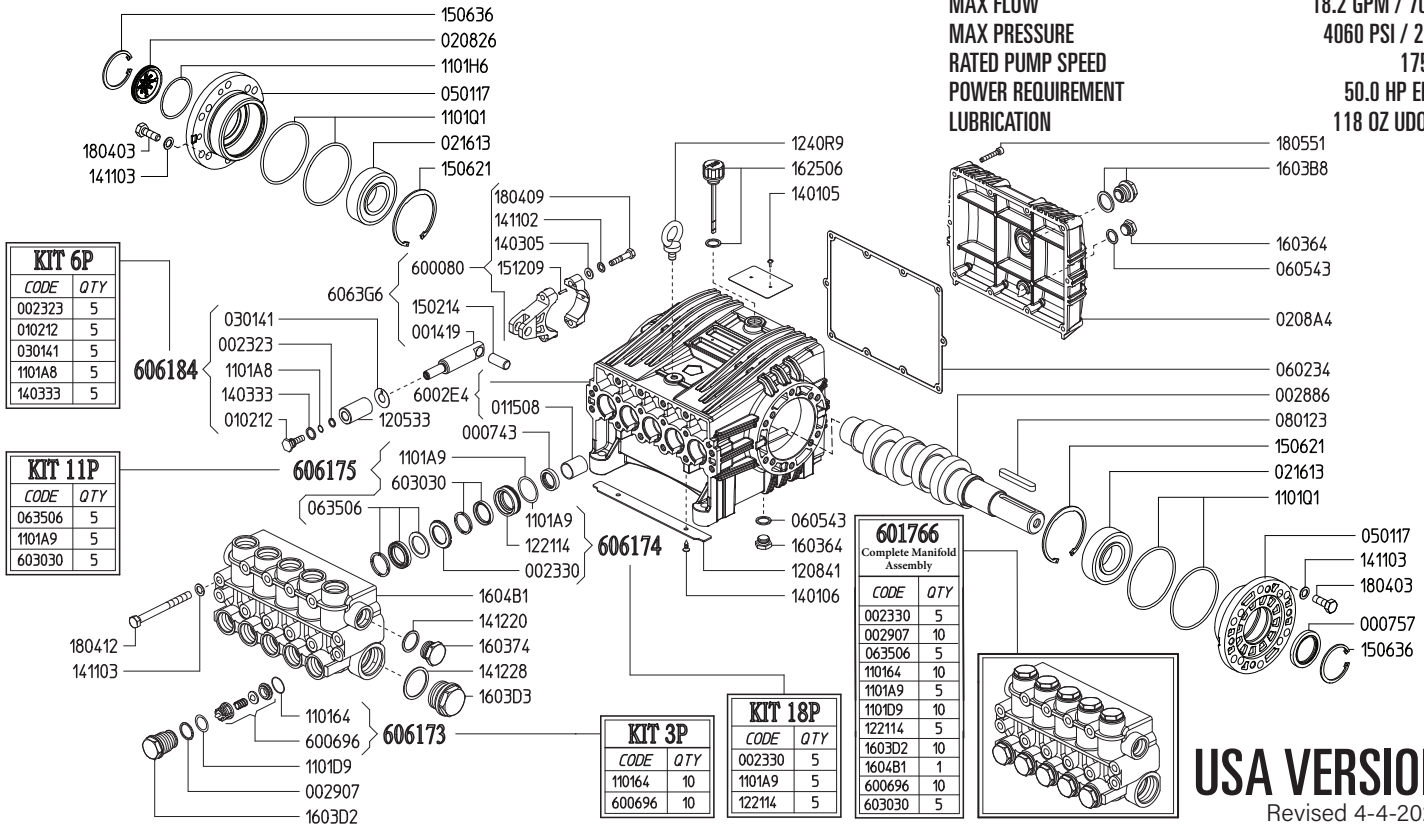


MAX FLOW
MAX PRESSURE
RATED PUMP SPEED
POWER REQUIREMENT
LUBRICATION

18.2 GPM / 70 L/MIN
4060 PSI / 280 BAR
1750 RPM
50.0 HP ELECTRIC
118 OZ UDOR LUBE



USA VERSION
Revised 4-4-2023

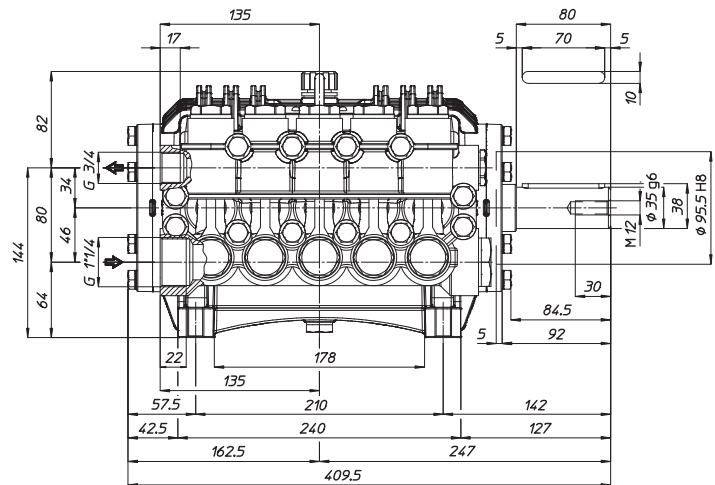
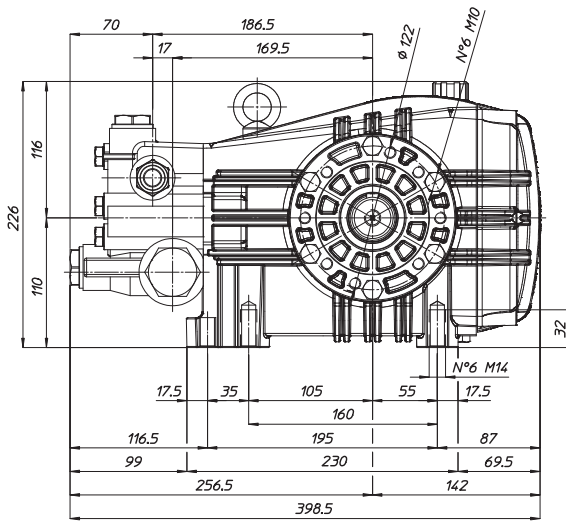
| Part # | Description | Qty |
|---------|---|-----|
| 0007.43 | OIL SEAL D22 | 5 |
| 0007.57 | OIL SEAL D40 | 1 |
| 0014.19 | PLUNGER GUIDE D22/25/28 | 5 |
| 0023.23 | RING D10.4 ^D | 5 |
| 0023.30 | UPPER RING D25 ^{B E} | 5 |
| 0028.86 | MALE SHAFT D35 | 1 |
| 0029.07 | PLUG RING ^E | 10 |
| 0102.12 | PLUNGER BOLT ^D | 5 |
| 0115.08 | BUSHING D22 | 5 |
| 0208.26 | OIL SIGHT GLASS | 1 |
| 0208.A4 | BACK COVER | 1 |
| 0216.13 | BEARING D40 | 2 |
| 0301.41 | DISC ^D | 5 |
| 0501.17 | BEARING FLANGE | 2 |
| 0602.34 | BACK COVER GASKET | 1 |
| 0605.43 | GASKET D17 | 2 |
| 0635.06 | HIGH PRESS. SEAL KIT D25 ^{C E} | 5 |
| 0801.23 | KEY A10X8X70 | 1 |
| 1101.64 | O-RING - VALVE ^{A E} | 10 |
| 1101.A8 | O-RING - PLUNGER PUMP ^D | 5 |
| 1101.A9 | O-RING - PRESSURE RING ^{B C E} | 5 |
| 1101.D9 | O-RING - VALVE CAP ^E | 10 |
| 1101.H6 | O-RING - OIL SIGHT GLASS | 1 |
| 1101.Q1 | O-RING - BEARING FLANGE | 4 |
| 1205.33 | CERAMIC PLUNGER D25 | 5 |
| 1208.41 | PLATE | 1 |
| 1221.14 | PRESSURE RING D25 ^{B E} | 5 |
| 1240.R9 | LIFTING HOOK M10 | 1 |
| 1401.05 | RIVET 3.5X8 | 2 |
| 1401.06 | RIVET D4X10 | 2 |
| 1403.05 | WASHER D8.4 | 10 |
| 1403.33 | WASHER D13.4 ^D | 5 |
| 1411.02 | SERATED WASHER D8 | 10 |

| Part # | Description | Qty |
|---------|--|-----|
| 1411.03 | SERATED WASHER D10 | 24 |
| 1412.20 | BONDED WASHER D27,05 | 1 |
| 1412.28 | BONDED WASHER D42.9 | 1 |
| 1502.14 | PIN D14X32 | 5 |
| 1506.21 | SNAP RING D80 | 2 |
| 1506.36 | SNAP RING D55 | 2 |
| 1512.09 | PLUG D5X20 | 10 |
| 1603.64 | PLUG G3/8 | 2 |
| 1603.74 | PLUG G3/4 | 1 |
| 1603.B8 | OIL PLUG G3/4 + GASKET | 1 |
| 1603.D2 | VALVE PLUG ^E | 10 |
| 1603.D3 | PLUG G1"1/4 | 1 |
| 1604.B1 | HEAD PISTON D22/25 ^E | 1 |
| 1625.06 | OIL PLUG G1/2 | 1 |
| 1804.03 | HEX BOLT M10X30 | 12 |
| 1804.09 | HEX BOLT M8X40 | 10 |
| 1804.12 | HEX BOLT M10X110 | 10 |
| 1805.51 | ALLEN BOLT M6X40 | 10 |
| 6000.80 | ROD ASSEMBLY BRONZE | 5 |
| 6002.E4 | CRANKCASE ASSEMBLY | 1 |
| 6006.96 | VALVE ASSEMBLY W/O O-RING ^{A E} | 10 |
| 6017.66 | COMPLETE MANIFOLD ASSEMBLY - D25 | 1 |
| 6030.30 | LOW PRESSURE SEAL KIT D25 ^{C E} | 5 |
| 6063.G6 | COMPLETE ROD ASSY D22/25/28 BRONZE | 5 |
| 6061.73 | VALVE KIT (KIT 3P) | 1 |
| 6061.74 | BRASS RING KIT D25 (KIT 18P) | 1 |
| 6061.75 | WATER SEAL KIT D25 (KIT 11P) | 1 |
| 6061.84 | PLUNGER KIT D22/25/28 (KIT 6P) | 1 |

A Parts in 6061.73 (Kit 3P).
B Parts in 6061.74 (Kit 18P).
C Parts in 6061.75 (Kit 11P).
D Parts in 6061.84 (Kit 6P).
E Parts in 6017.66 (Complete Manifold Assembly)

*Dimensional Drawings are
Shown in Millimeters.
To Convert to Inches,
Multiply Dimension x 0.03937*

PENTA-B 30/300 R, PENTA-B 40/300 R, PENTA-B 50/200 R PENTA-C 43/300 R, PENTA-C 58/300 R, PENTA-C 70/200 R, PENTA-D 18.0/40 R



TORQUE SPECS

| Ref. | Description | Ft./lb. | Nm | Loctite® |
|------|----------------------|---------|-----|----------|
| 1 | Head Bolts | 37 | 50 | - |
| 2 | Valve Caps | 133 | 180 | 243 |
| 3 | Inlet Cap | 147 | 200 | - |
| 4 | Outlet Cap | 103 | 140 | 243 |
| 5 | Bearing Flange Bolts | 37 | 50 | - |
| 6 | Rear Cover Bolts | 8 | 11 | - |
| 7 | Connecting Rod Bolts | 22 | 30 | 270 |
| 8 | Plunger Bolts | 15 | 20 | 270 |
| 9 | Valve Cover Bolts | - | - | - |
| 10 | Oil Drain Plug | 8 | 11 | - |

